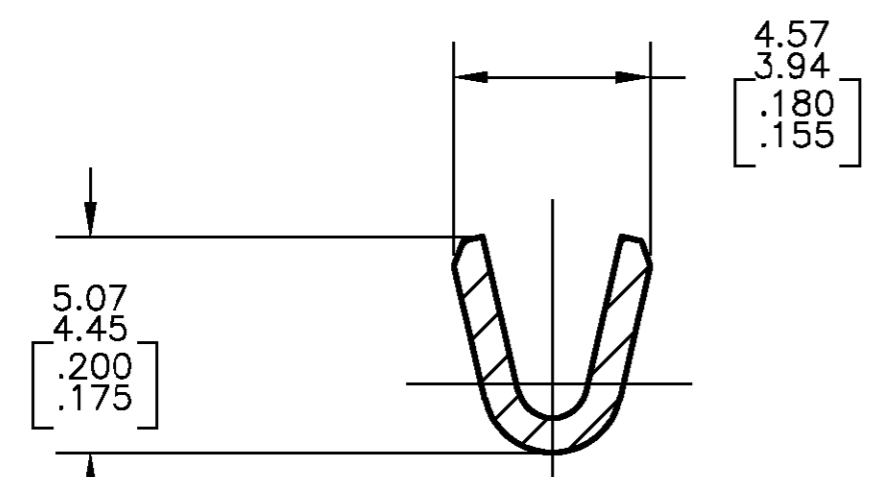
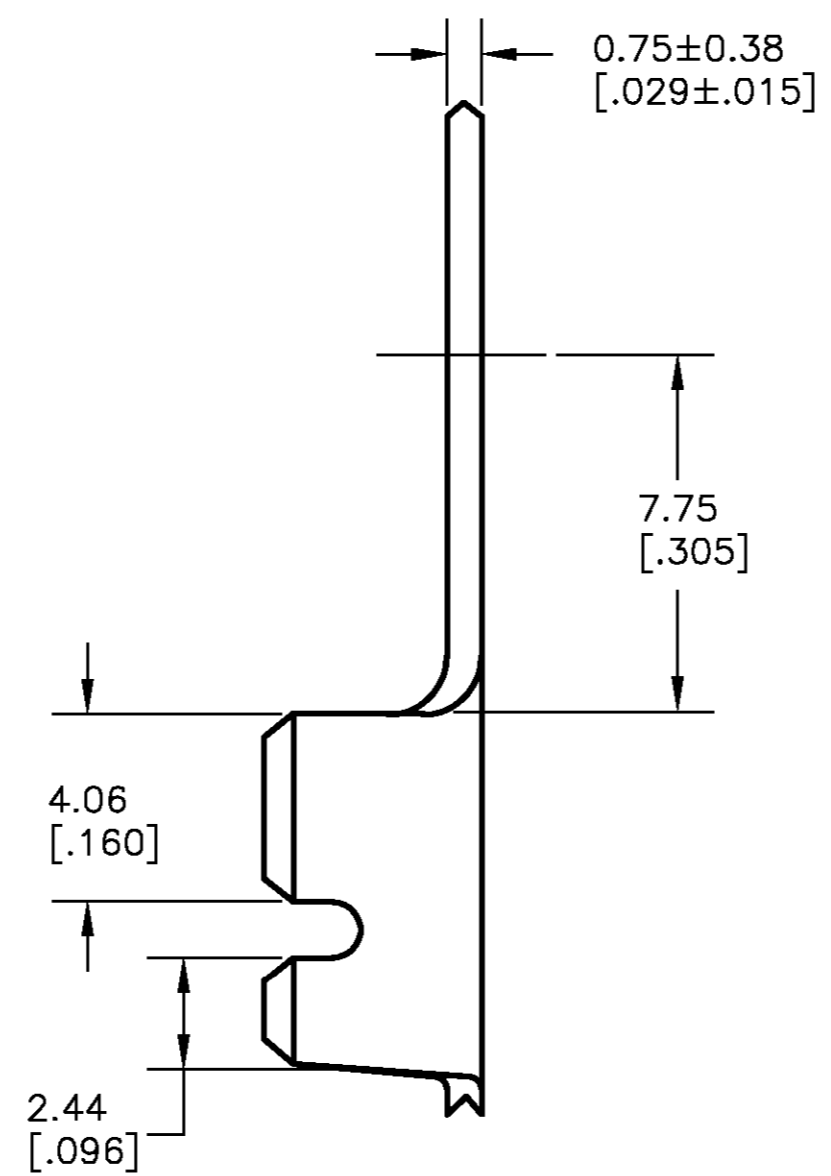
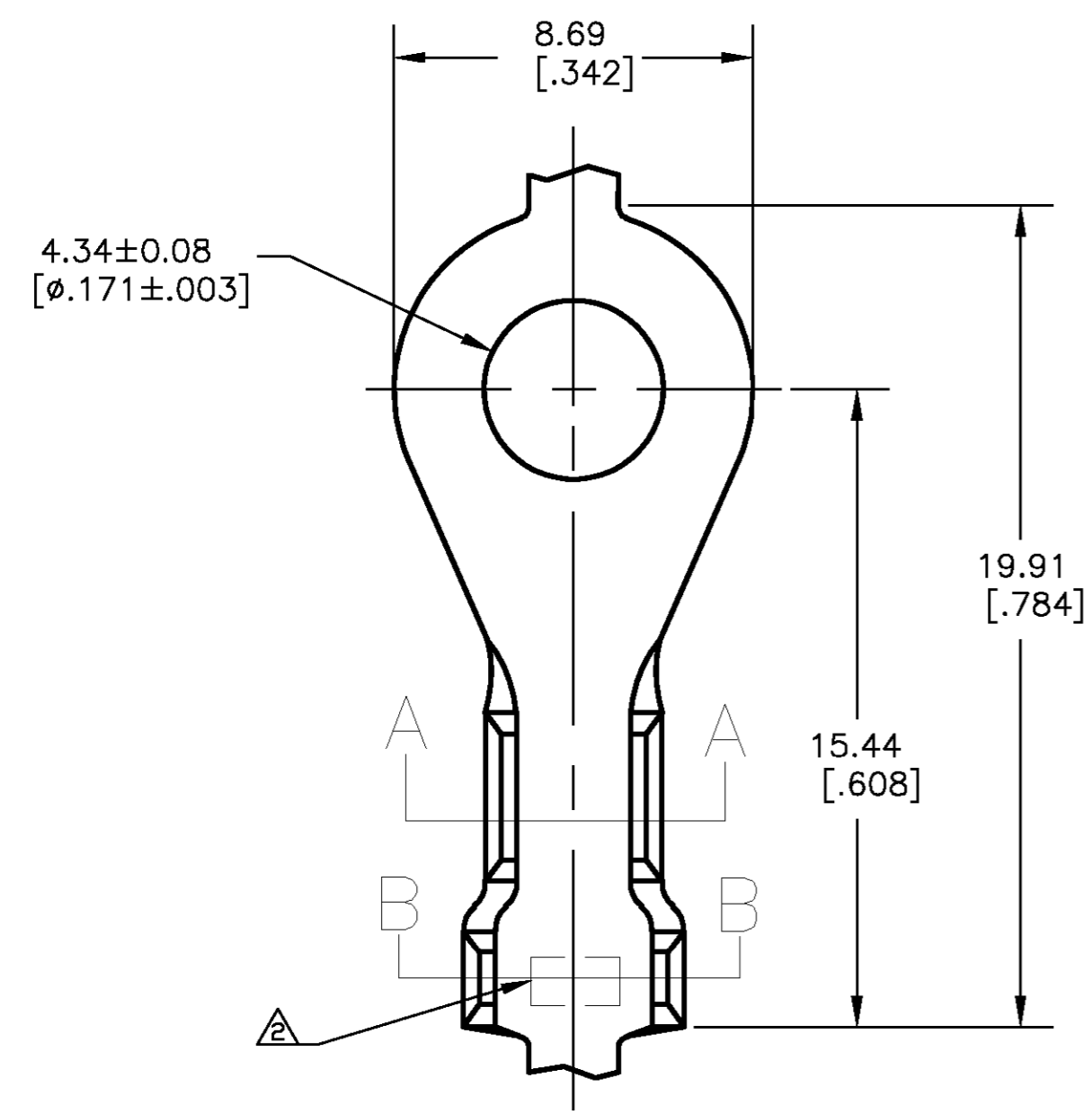
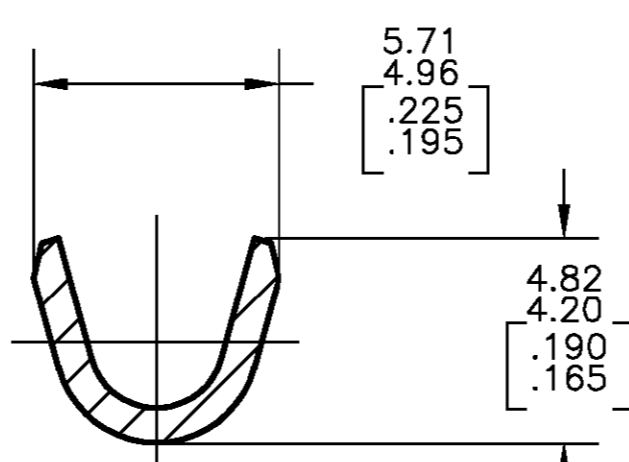


THIS DRAWING IS UNPUBLISHED. RELEASED FOR PUBLICATION
 BY TYCO ELECTRONICS CORPORATION. ALL RIGHTS RESERVED.

| LOC | DIST | REVISIONS | | | |
|-----|------|-------------|--------------------------|---------|-------|
| P | LTR | DESCRIPTION | DATE | DWN | APVD |
| AF | 50 | W | REDRAWN PER OG3A-0198-01 | 04APR01 | MF DD |



SECTION A-A



SECTION B-B

- 1 CONTINUOUS STRIP ON REELS.
- △ AMP STAMP.

| | | |
|---------------------------------------|---------------------------------|-------------|
| 0.8-2.0mm ² [18-14] AWG | 2.54-3.56 [.100-.140] DIA | 40660 |
| WIRE RANGE | INSULATION RANGE | PART NUMBER |

| | | | | |
|--|-------------|--------------------------------------|--|-----------|
| THIS DRAWING IS A CONTROLLED DOCUMENT. | | DWN MICHAEL S. FEHER 26JAN2001 | Tyco Electronics Corporation Harrisburg, PA 17105 | |
| DIMENSIONS: mm [INCHES] | | CHK DONALD DECKER 04APR2001 | AMP | |
| TOLERANCES UNLESS OTHERWISE SPECIFIED: | | APVD DONALD DECKER 04APR2001 | NAME M4 - #8 STUD, TERMINAL, TONGUE, RING | |
| 0 PLC ± - | 1 PLC ± - | PRODUCT SPEC | SIZE | CAGE CODE |
| 2 PLC ± 0.25[.010] | 3 PLC ± - | APPLICATION SPEC | A2 | 00779 |
| 4 PLC ± - | ANGLES ± 1° | WEIGHT | DRAWING NO 40660 | |
| MATERIAL 082 BRASS | FINISH | CUSTOMER DRAWING | SCALE | SHEET |
| | | | 6:1 | 1 OF 1 |
| | | | | REV W |

40660